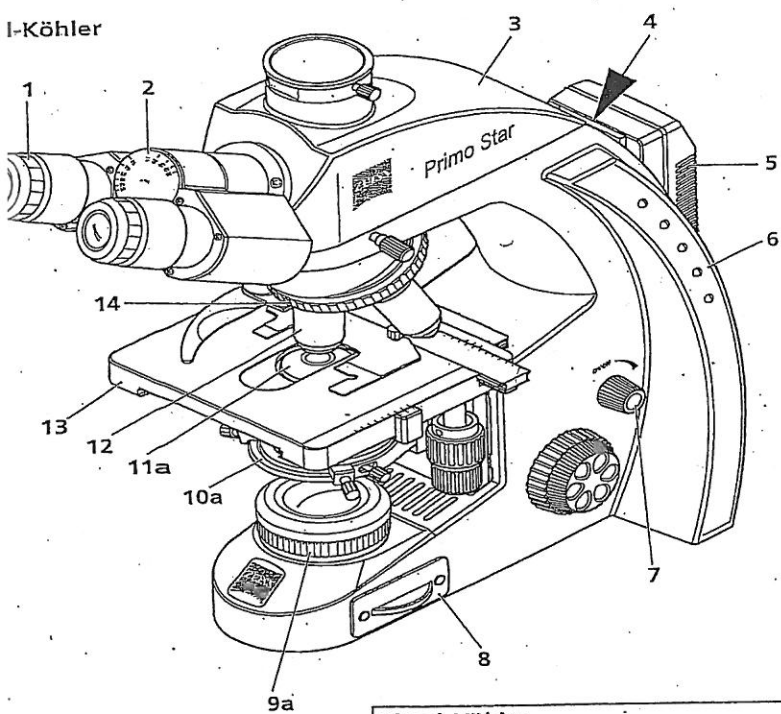


Total view

I-Köhler



- 1. Eyepiece
- 2. Binocular head
- 3. Tube
- 4. Carrying handle
- 5. Plug-in power unit
- 6. Stand
- 7. ON/OFF switch; illumination intensity
- 8. Illumination module
- 9a. Luminous-field diaphragm, adjustable
- 9b. Luminous-field diaphragm, fixed
- 10a. Condenser carrier, Full Köhler
- 10b. Condenser carrier, Fixed Köhler
- 11a. Abbe condenser, Full Köhler
- 11b. Abbe condenser, Fixed Köhler
- 12. Objective
- 13. Microscopé stâgë
- 14. Objective nosepiece

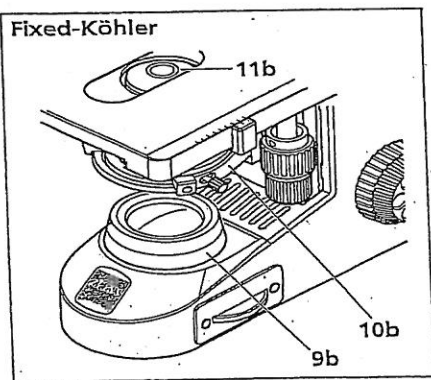


Fig. 1 Total view